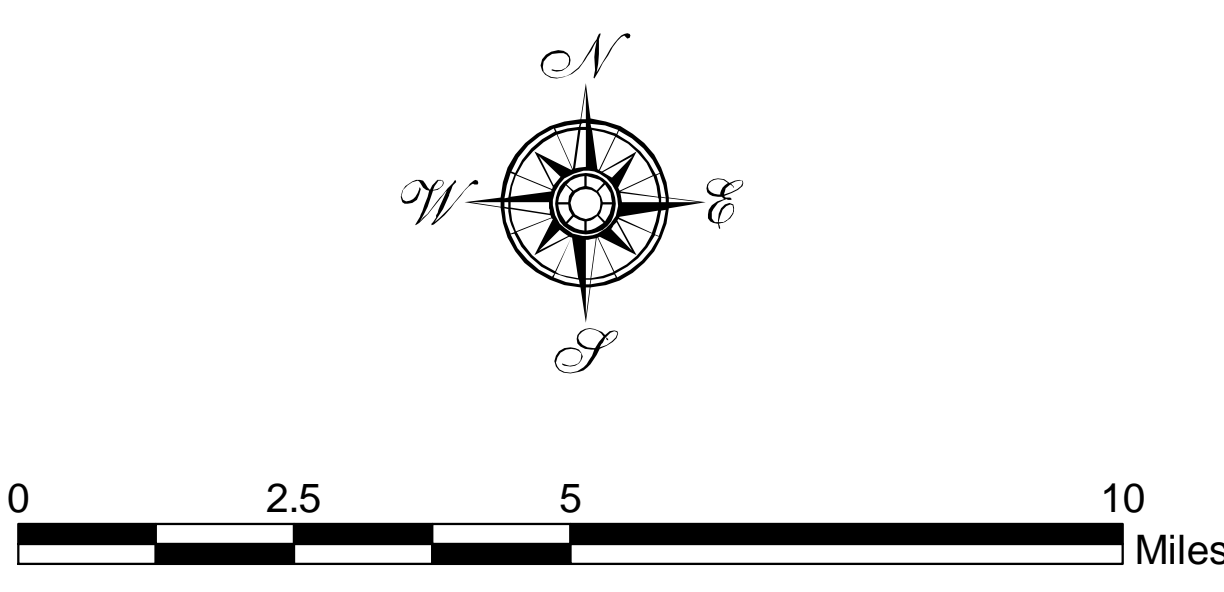





LEGEND

- Interstate
- U.S. Route
- Highway
- Railroad
- County Line
- River/Stream
- Water
- Little Missouri Grassland Boundary
- Elk Game Management Unit
- Elk Game Management Unit

- Surface Ownership**
- State
 - National Grassland
 - BLM
 - National Park Service
 - ND Game and Fish Department
 - Private



THEODORE ROOSEVELT NATIONAL PARK ELK MANAGEMENT PLAN/EIS

**FIGURE 2-1
PROJECT LOCATION**

| | |
|---|-----------------------------|
| ANALYSIS AREA: BILLINGS & MCKENZIE COUNTIES, ND | |
| Date: 11/04/04 | File: I:\1777\lgmu_quad.mxd |
| Drawn By: MSH | PDF: I:\1777\lgmu_quad.pdf |